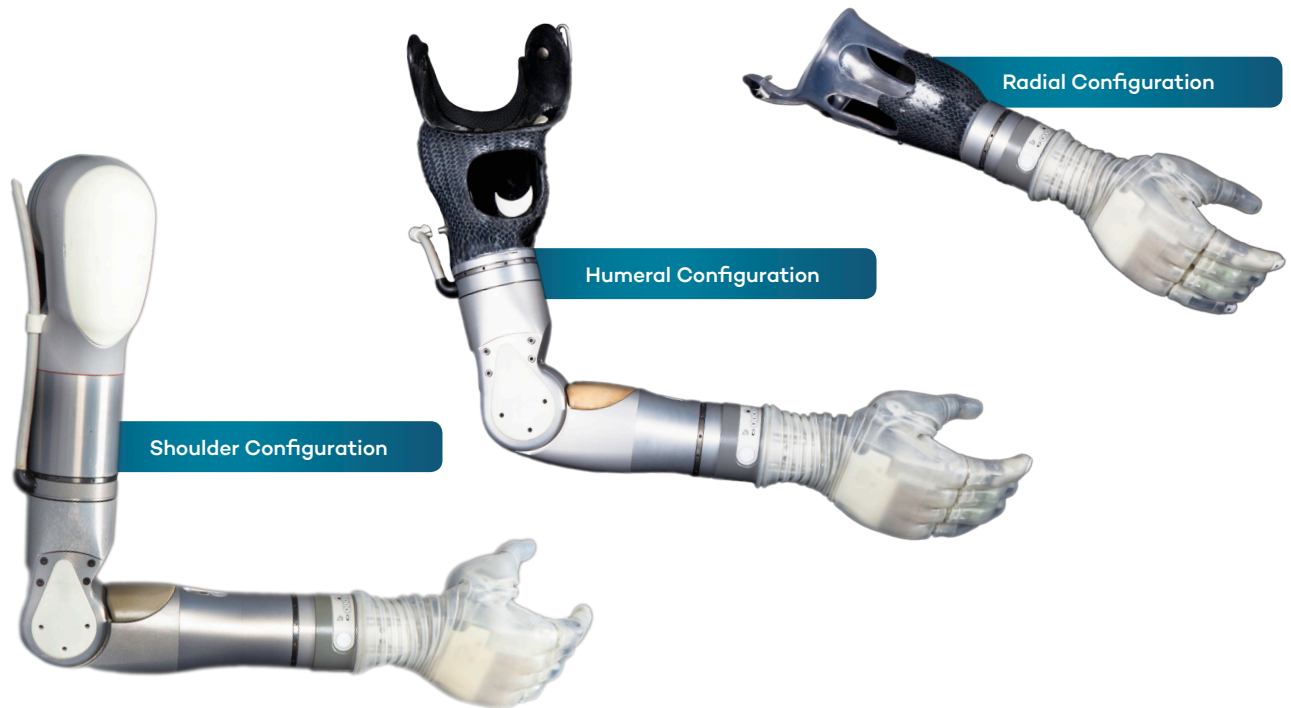


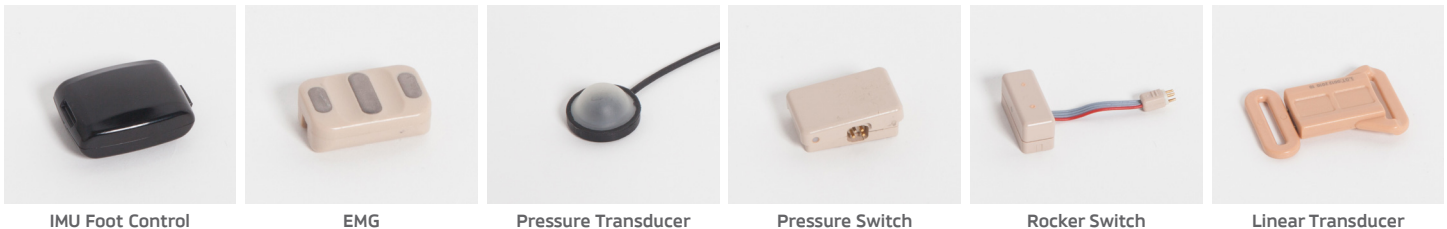
LUKE ARM SYSTEM

The LUKE arm is a **modular prosthetic arm** that is configurable for different levels of amputation including **transradial**, **transhumeral**, and **shoulder disarticulation**. In its maximum configuration, it has **10 powered degrees of freedom** including a **powered shoulder**, **humeral rotator**, and **wrist flexor with ulnar/radial deviation**. Multiple powered degrees of freedom can be **moved at the same time**. The hand has multiple, **preprogrammed grips using four individually controlled degrees of freedom**. The hand also includes a sensor that provides **grip force feedback**. The LUKE arm provides resistance against **light rain and fine dust**, allowing wearers peace of mind when using the arm outside the home.



AVAILABLE INPUT DEVICES

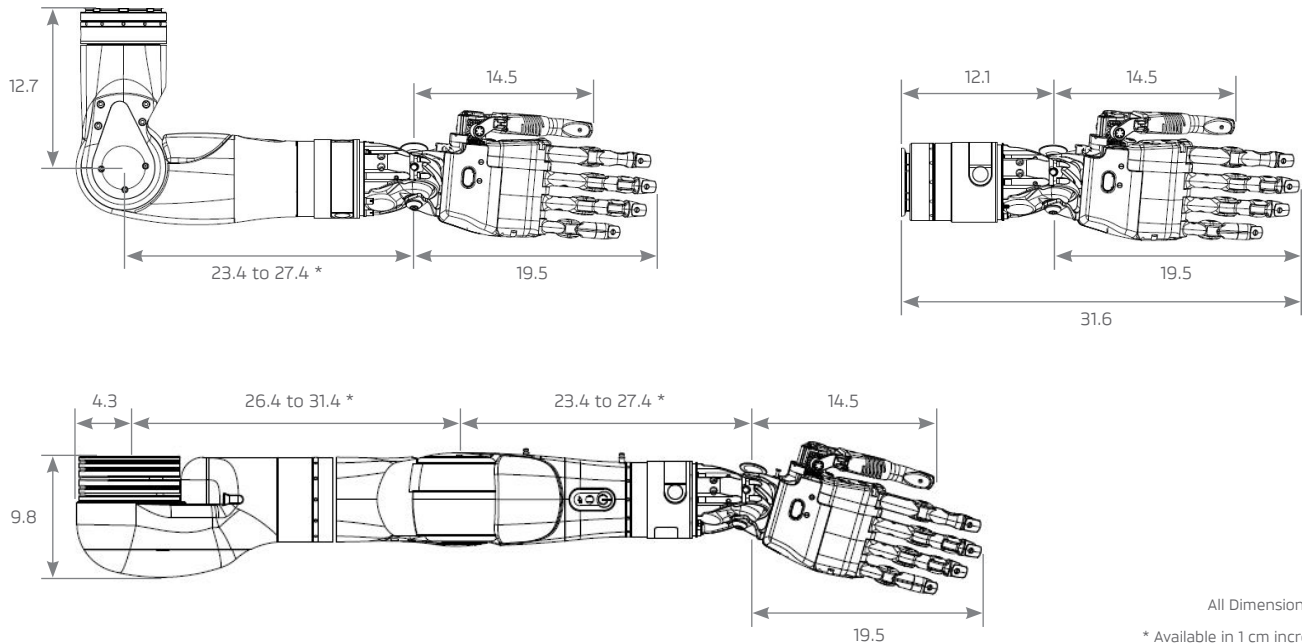
The LUKE arm has a very **flexible control system** that allows the arm to be controlled by a **variety of input devices**. Familiar input devices may be used such as **surface EMG electrodes and pressure switches**. In addition, the LUKE arm may be **controlled by intuitive wireless IMUs** (inertial measurement units) that are typically worn on top of the shoes. The clinical team and the client work together to develop the **input configuration that best meets the client's needs**.



LUKE ARM SYSTEM

| PRODUCT SPECIFICATIONS | RADIAL | HUMERAL | SHOULDER |
|------------------------|-----------------------------------|----------------|----------|
| Weight | 1.4 kg | 3.4 kg | 4.7 kg |
| Voltage | 14.8 V (nominal) | | |
| Battery Type | Li-Ion (rechargeable) | | |
| Battery Capacity | Up to 5000 mAh | Up to 7000 mAh | |
| Operating Temperature | -10° C to 50° C (14° F to 122° F) | | |

| POWERED JOINTS | RADIAL | HUMERAL | SHOULDER |
|--|--------|---------|----------|
| Multi-articulating Hand | ✓ | ✓ | ✓ |
| Wrist Flexor with Ulnar/Radial Deviation | ✓ | ✓ | ✓ |
| Wrist Rotator | ✓ | ✓ | ✓ |
| Elbow Flexor | | ✓ | ✓ |
| Humeral Rotator | | ✓ | ✓ |
| Shoulder Flexor | | | ✓ |
| Shoulder Abductor | | | ✓ |



The LUKE arm system consists of a prosthetic arm and accessories which are used by a certified prosthetist to create a full upper extremity prosthesis indicated for individuals, age 18 years and older, who have partial or full upper limb amputations or congenital defects. The device is used to assist in activities of daily living (ADLs).

The safety and effectiveness of the LUKE arm system has not been established for bilateral amputees that include a unilateral or bilateral transhumeral or scapulothoracic level of amputation.

Caution: Federal law restricts this device to sale by or on the order of a licensed healthcare practitioner.

Manufactured by Mobius Bionics, LLC
 470 Commercial Street
 Manchester, NH 03101
 855-662-4871

Mobius Bionics
 mobiusbionics.com