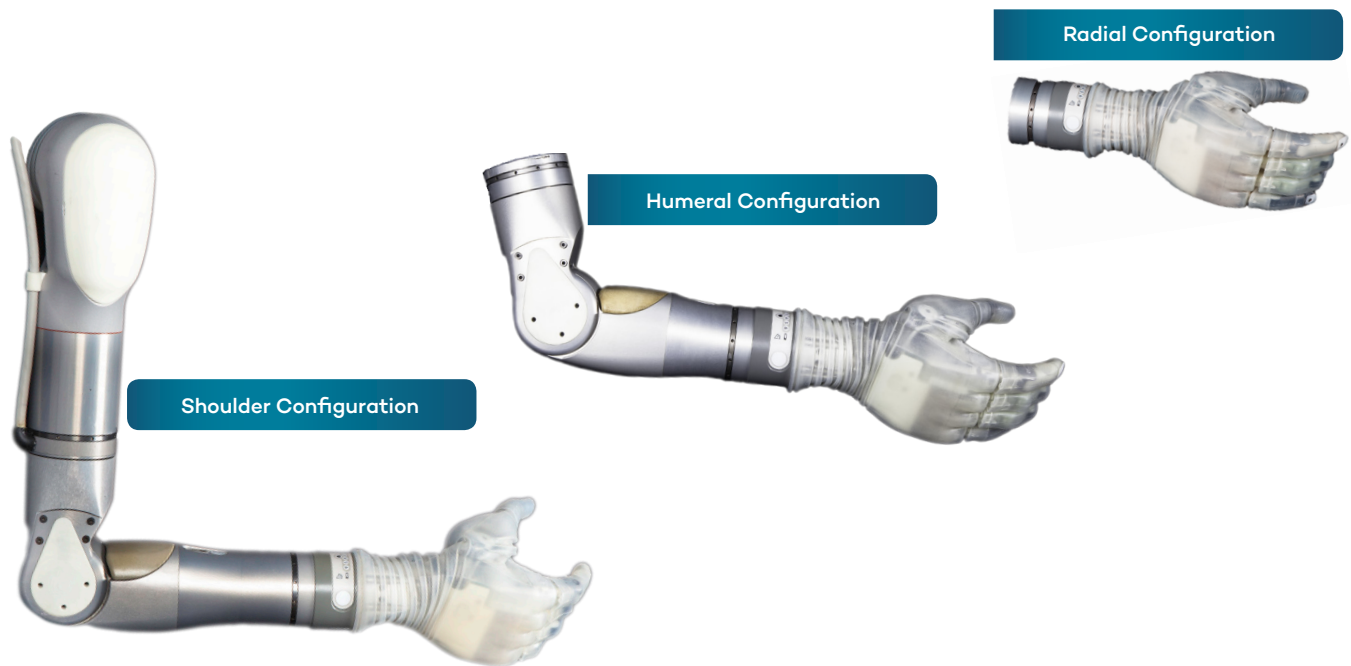


## LUKE ARM SYSTEM

The LUKE arm is a **modular prosthetic arm** that is configurable for different levels of amputation including **transradial**, **transhumeral**, and **shoulder disarticulation**. In its maximum configuration, it has **10 powered degrees of freedom** including a **powered shoulder**, **humeral rotator**, and **wrist flexor with ulnar/radial deviation**. Multiple powered degrees of freedom can be **moved at the same time**. The hand has multiple, **preprogrammed grips using four individually controlled degrees of freedom**. The hand also includes a sensor that provides **grip force feedback**. The LUKE arm provides resistance against **light rain and fine dust**, allowing wearers peace of mind when using the arm outside the home.



### AVAILABLE INPUT DEVICES

The LUKE arm has a very **flexible control system** that allows the arm to be controlled by a **variety of input devices**. Familiar input devices may be used such as **surface EMG electrodes and pressure switches**. In addition, the LUKE arm may be **controlled by intuitive wireless IMUs** (inertial measurement units) that are typically worn on top of the shoes. The clinical team and the client work together to develop the **input configuration that best meets the client's needs**.



IMU Foot Control



EMG



Pressure Switch



Rocker Switch

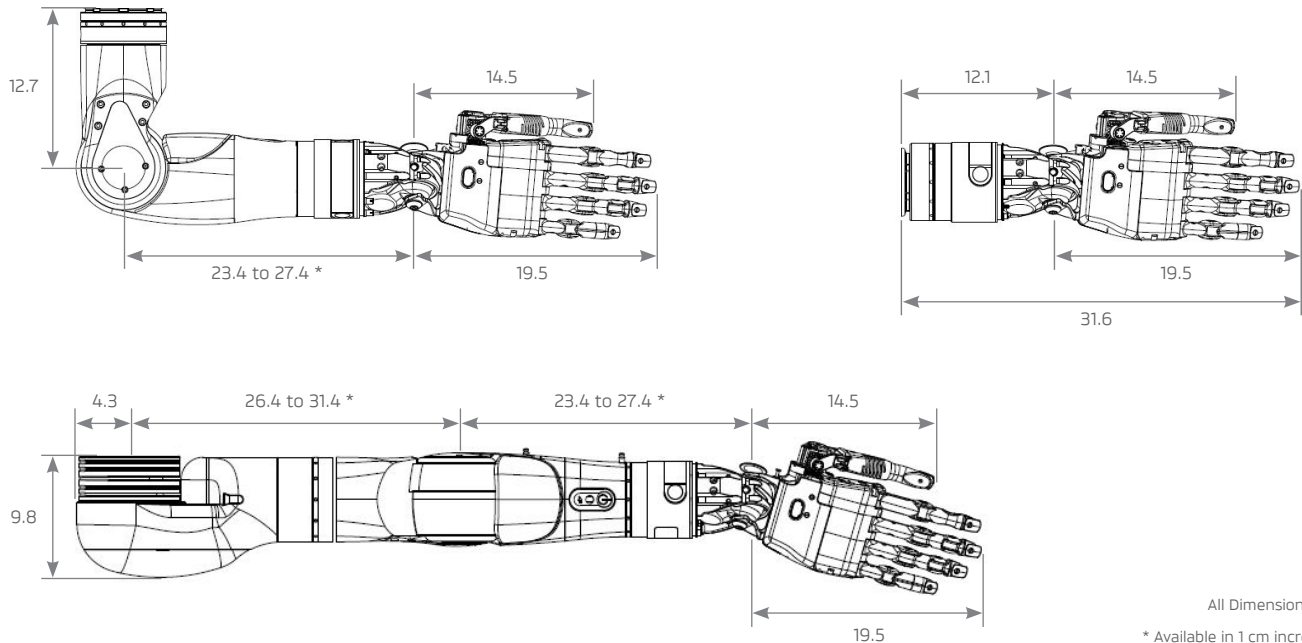


Linear Transducer

## LUKE ARM SYSTEM

PRODUCT SPECIFICATIONS	RADIAL	HUMERAL	SHOULDER
Weight	1.4 kg	3.4 kg	4.7 kg
Voltage	14.8 V (nominal)		
Battery Type	Li-Ion (rechargeable)		
Battery Capacity	Up to 5000 mAh	Up to 7000 mAh	
Operating Temperature	-10° C to 50° C (14° F to 122° F)		

POWERED JOINTS	RADIAL	HUMERAL	SHOULDER
Multi-articulating Hand	✓	✓	✓
Wrist Flexor with Ulnar/Radial Deviation	✓	✓	✓
Wrist Rotator	✓	✓	✓
Elbow Flexor		✓	✓
Humeral Rotator		✓	✓
Shoulder Flexor			✓
Shoulder Abductor			✓



The LUKE arm system consists of a prosthetic arm and accessories which are used by a certified prosthetist to create a full upper extremity prosthesis indicated for individuals, age 18 years and older, who have partial or full upper limb amputations or congenital defects. The device is used to assist in activities of daily living (ADLs).

Appropriate use of the arm on a client with bilateral amputations should be determined by the prescribing physician after assessing the client's capabilities.

**Caution:** Federal law restricts this device to sale by or on the order of a licensed healthcare practitioner.

Manufactured by Mobius Bionics, LLC  
 286 Commercial Street  
 Manchester, NH 03101  
 855-662-4871

**Mobius Bionics**  
 mobiusbionics.com